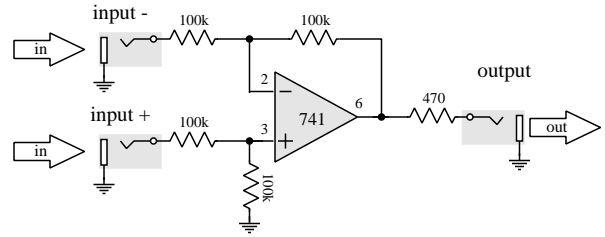
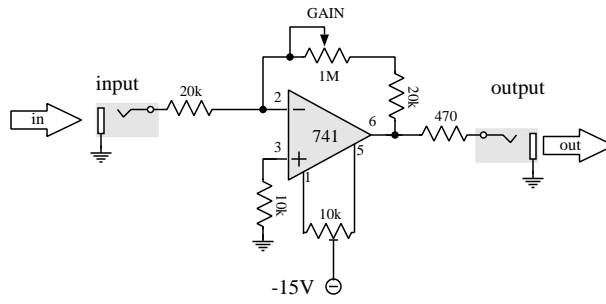


VOLTAGE ADDER



VOLTAGE SUBTRACTOR



VOLTAGE AMPLIFIER INVERTER