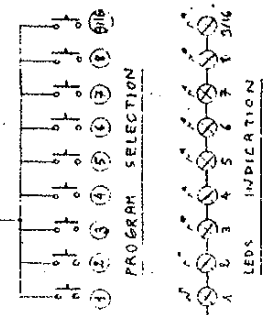


DATE : 20/5/80  
 SYNOPTIQUE  
 SYNTHETISEUR  
 KOBOL  
 R.F.

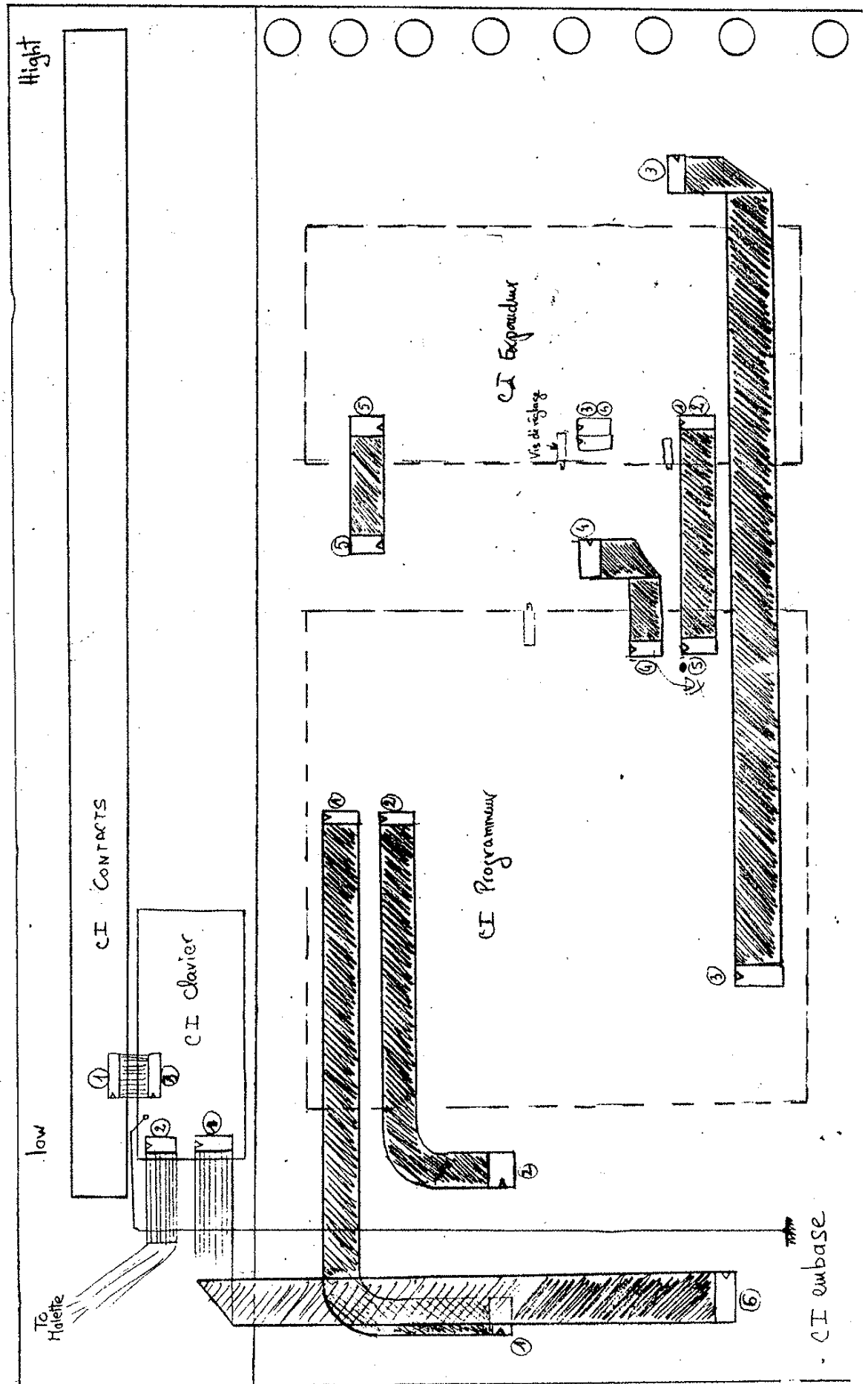
**RSB**  
 18, rue Blaise Pascal  
 31 500 - TOULOUSE  
 Tél. 053 47 33 88  
 Construction  
 SARL au capital de 200 000 F  
 R.C. 31 738 878  
 CCR Tél. 778 40 A



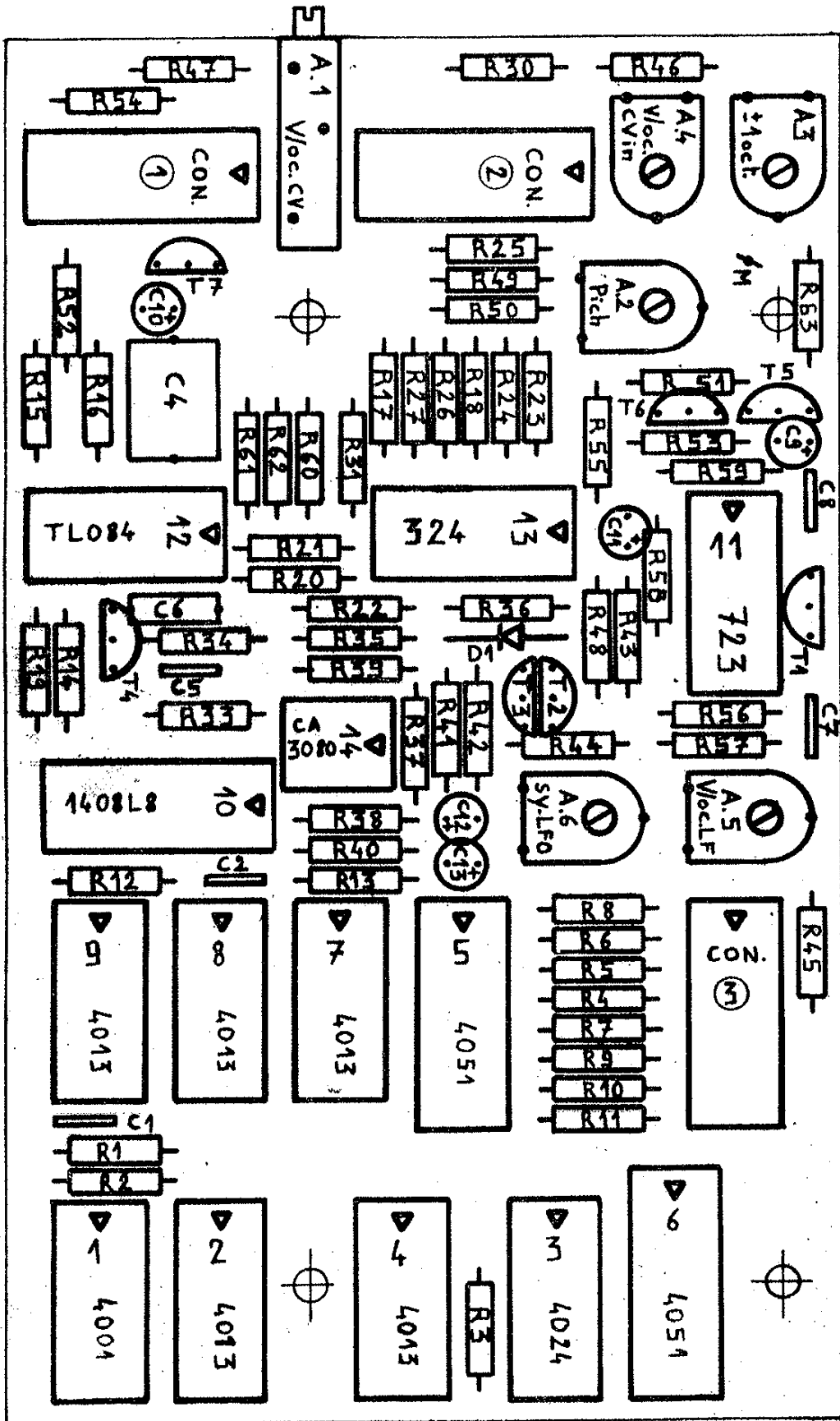


K8T  
Kobol  
10/6/80

# FLAT CABLE INTERCONNECTION







2  
 RC



19, Rue CLAUDE CAZELLE  
31 200 - TOULOUSE  
Tel (01) 47 01 88  
CONSTRUCTEUR

Représentation SARL au capital de 20 000 F  
R.C. Tine 788 888  
C.C.R. Tine 778 40A

ORIGINAL

**NOMENCLATURE**  
RESISTANCES/CAPACITES

SCHI 20/11/79

CLAVIER Kobil ①

DATE: 20/11/79

MODIFS:

Ref schema	Ref stock rsf	DESCRIPTION	Ref schema	Ref stock rsf	DESCRIPTION
R1	R10K		R51	R10K	
R2	<del>R10K</del> 470K		R52	R100K	
R3	R10K		R53	R10K	
R4	R10K		R54	R100K	
R5	R10K		R55	R95,3K1P	
R6	R10K		R56	R2,49K1P	
R7	R10K		R57	R7,15K1P	
R8	R10K		R58	R4,7	
R9	R10K		R59	R1,8K	
R10	R10K		R60	R16,2K1PC	→ appairer 001 ↓ 11
R11	R10K		R61	R16,2K1PC	
R12	R3,65K1P	*	R62	R10K	
R13	R3,65K1P	*	R63	R470K	
R14	R16,2K1P	*			
R15	R1K				
R16	R95,3K1P	*			
R17	R16,2K1P	*	C1	C100PF	
R18	R10K		C2	C100PF	
R19	R4,75K1P	*			Supprime
R20	R100K1P	*	C4	C1MF31E	
R21	R39K		C5	C22NF	
R22	R16,2K1P	*	C6	C47NF31E	
R23	R100K1P	*	C7	C22NF	
R24	R16,2K1P	*	C8	C100PF	
R25	R47K		C9	C4,7MFTA	
R26	R39K		C10	C4,7MFTA	
R27	R80,6K1P	*	C11	C4,7MFTA	
<del>R28</del>		Supprime	C12	C4,7MFTA	
<del>R29</del>		Supprime	C13	C4,7MFTA	
R30	R150K				
R31	R1M				
<del>R32</del>		Supprime			
R33	R22K				
R34	R15K				
R35	R69K				
R36	R100K				
R37	R220				
R38	R220				
R39	R100K				
R40	<del>R10K</del> 470K				
R41	R15K				
R42	R100K				
R43	R10K				
R44	R1K				
R45	R100K				
R46	R39K				
R47	R47K				
R48	R100K				



18, Rue CLARE CAZELLES  
31 200 - TOULOUSE  
Tel (01) 47 21 22  
CONSTRUCTEUR

Représentation SAJL au capital de 20000 F  
R.C. Tine 788 288  
C.C.R. Tine 778 40A

ORIGINAL

NOMENCLATURE

AUTRES COMPOSANTS

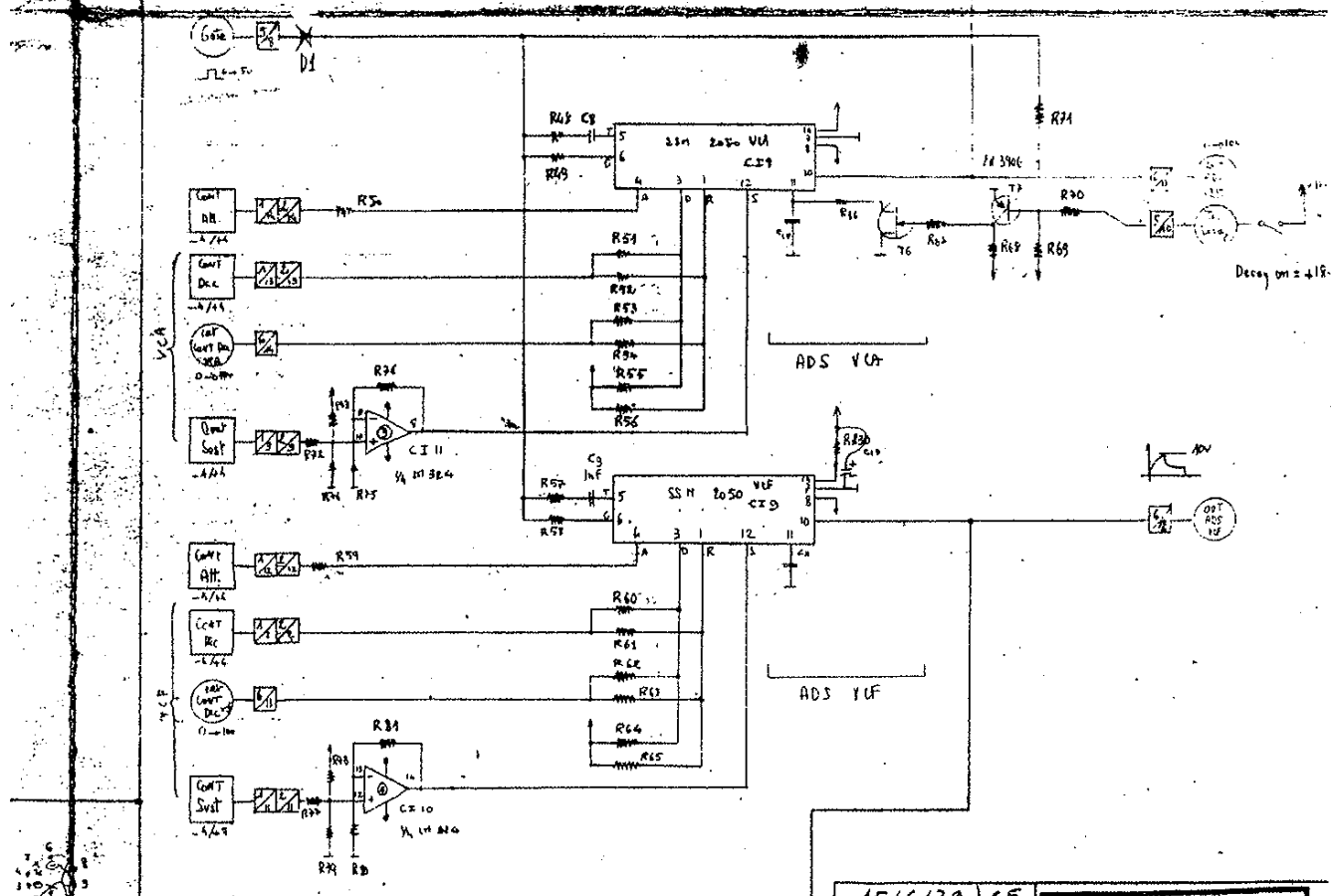
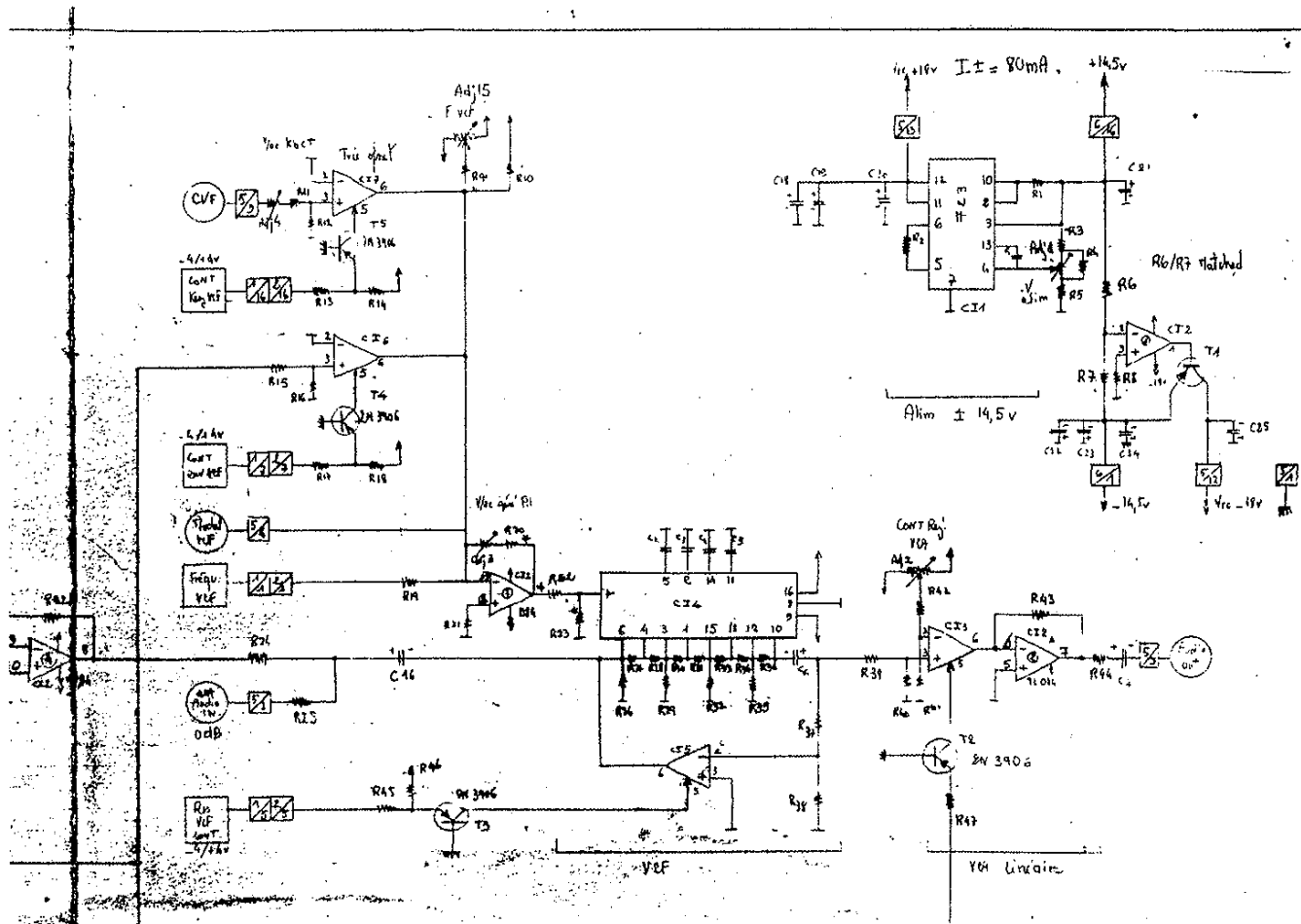
SCMA 20/11/79 2

CLAVIER Kobol (2/2)

DATE: 20/11/79

MODIFS:

Ref schema	Ref stock rsf	DESCRIPTION	Ref schema	Ref stock rsf	DESCRIPTION
CI1	CI4010A	401			
CI2	CI4013	4013			
CI3	CI4024	4024			
CI4	CI4013	4013			
CI5	CI4051	4051			
CI6	CI4051	4051 Motorola ou RCA			
CI7	CI4013	4013			
CI8	CI4013	4013			
CI9	CI4013	4013			
CI10	CI1408L8	1408 L8			
CI11	CI723	723			
CI12	CI TL084	TL084			
CI13	CI324	LM 324			
CI14	CI3080	3080			
DA	DIN 4148	IN 4148			
T1	T2N3819	2N 3819			
T2	T2N3904	<del>2N 3904</del>			
T3	T2N3906	<del>2N 3906</del>			
T4	T2N3819	2N 3819			
T5	T2N3904	<del>2N 3904</del>			
T6	T2N3904	<del>2N 3904</del>			
T7	T2N3819	2N 3819			
ADJ1	ADJ10KNU	10K 20 Tours			
ADJ2	ADJ10K				
ADJ3	ADJ10K				
ADJ4	ADJ10K				
ADJ5	ADJ100K				
ADJ6	ADJ100K				



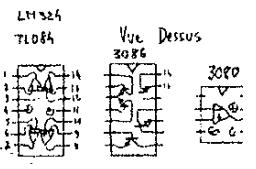
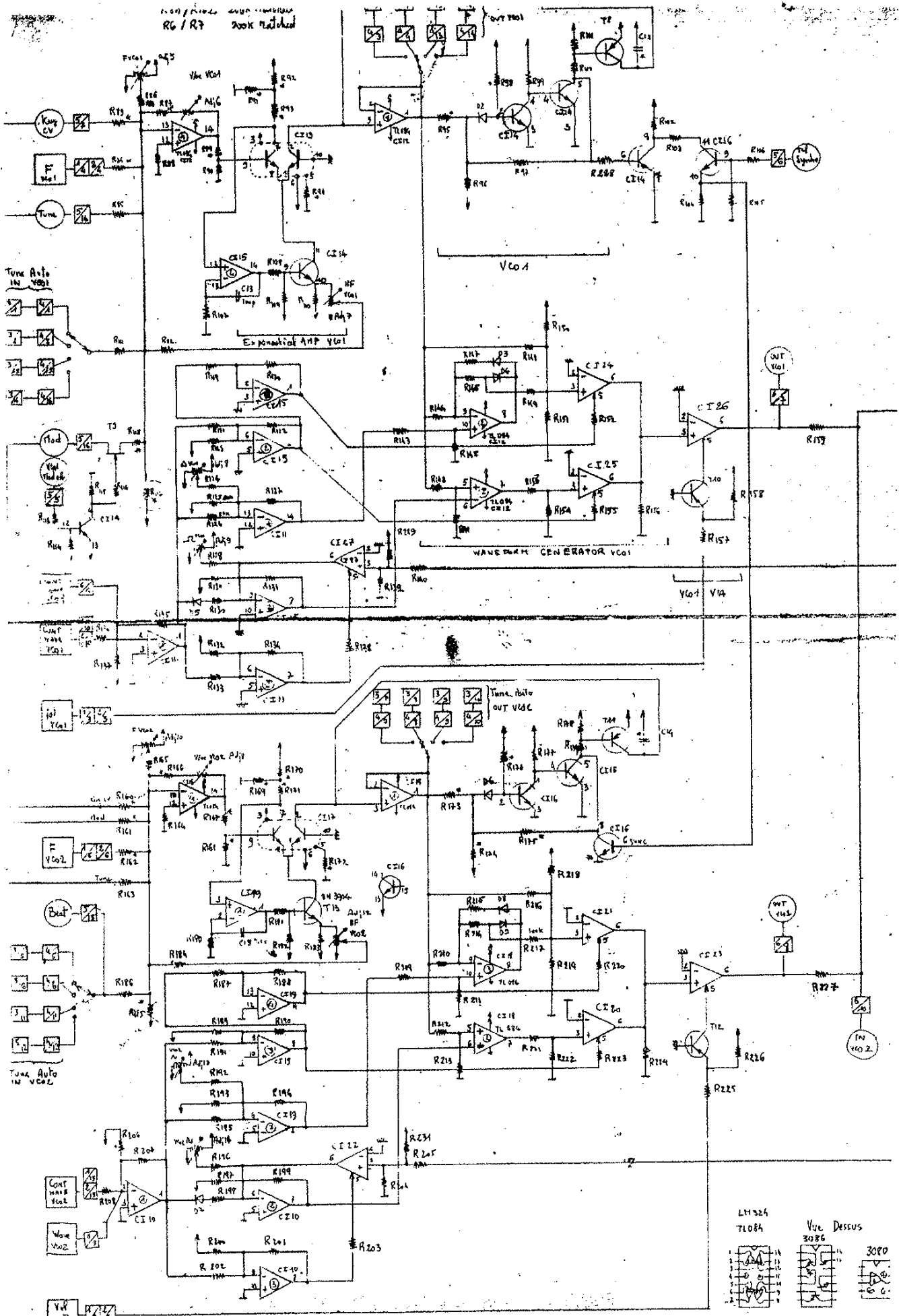
15/6/78 RF

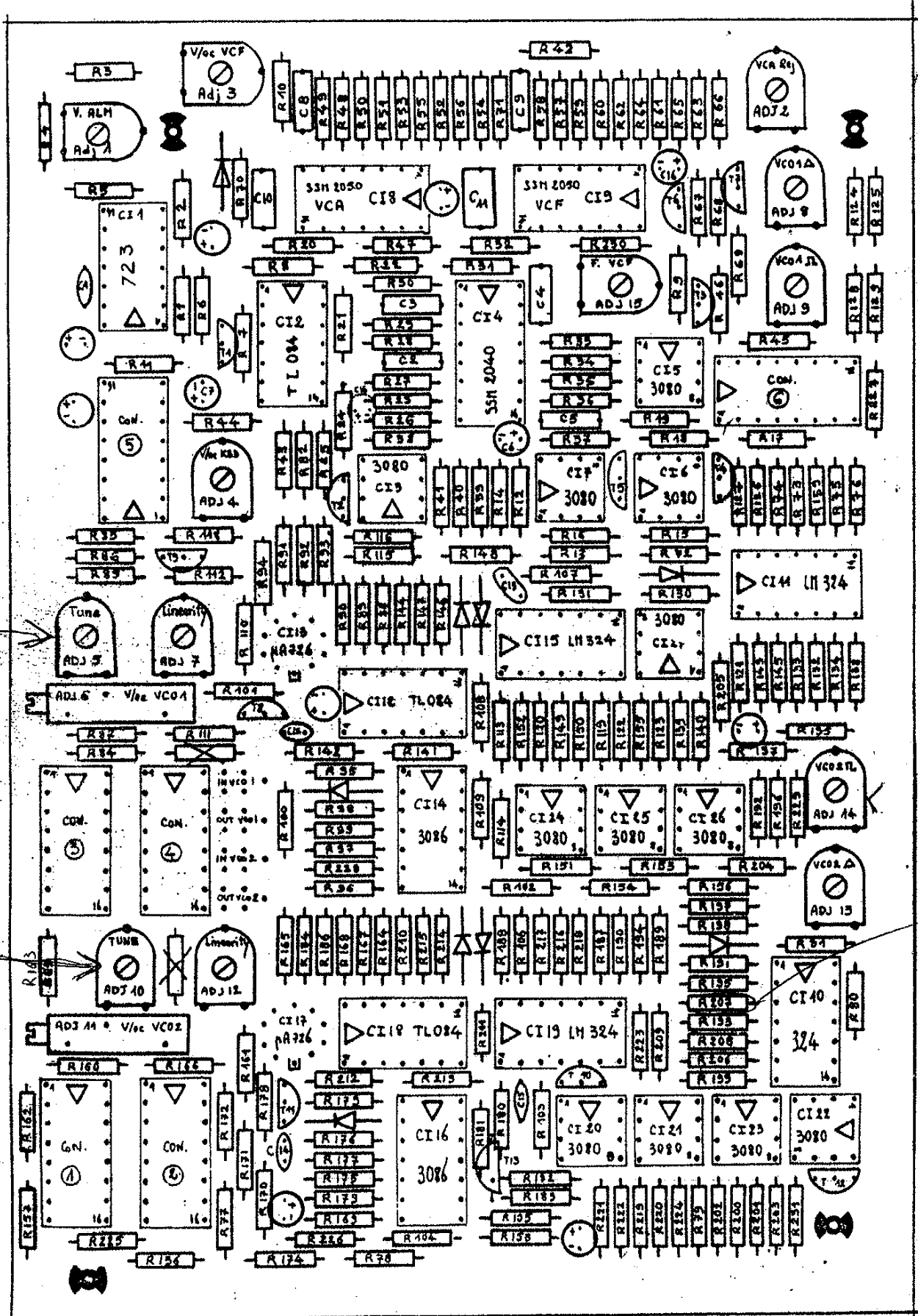
Board

NSI

NSI, 100 CLARE DRIVE  
 ST. MARYS - TASMANIA  
 Tel: 0513 47 29 00







resistor  
conductance  
221F  
see //.

EXPANDER KOBOL - BOARD INPLANTATION



19, Rue CLAUDE CAZELLES  
31 200 - TOULOUSE  
Tel (81) 47 31 55  
CONSTRUCTEUR

Représentation  
RS - 88000

SARL au capital de 20 000 F  
R.C. N° 788 859  
C.C.R. N° 778 40 A

ORIGINAL  
**NOMENCLATURE**  
COMPOSANTS ACTIFS

SCH 1

CI : 7909 C CH1 EXP 4

Expander Kobol

DATE: 20/11/79

MODIFS:

Ref schema	Ref stock rsf	DESCRIPTION	Ref schema	Ref stock rsf	DESCRIPTION
CI 1		723	TA 1		2N 3906
CI 2		TL 084	T 2		2N 3906
CI 3		3080	T 3		2N 3906
CI 4		SSM 2040	T 4		2N 3906
CI 5		CA 3080 tri' d'arbre	T 5		2N 3906 Ekr
CI 6		"	T 6		2N 3819
CI 7		" tri' d'arbre	T 7		2N 3906
CI 8		SSM 2050	T 8		2N 3906
CI 9		"	T 9		2N 3819
CI 10		LM 324	T 10		2N 3906 Ekr
CI 11		LM 324	T 11		2N 3906
CI 12		TL 084	T 12		2N 3906 Ekr
CI 13		MA 726	T 13		2N 3906
CI 14		CA 3086 tri' vcr			
CI 15		LM 324			
CI 16		CA 3086 tri' vcr			
CI 17		MA 726			
CI 18		TL 084			
CI 19		LM 324			
CI 20		IA3080			
CI 21		CA 3080			
CI 22		CA 3080 tri' d'arbre			
CI 23		CA 3080			
CI 24		CA 3080			
CI 25		CA 3080			
CI 26		CA 3080			
CI 27		CA 3080 tri' d'arbre			
<del>DA 1</del>		<del>AN 9148 Supprime</del>			
D 2		"			
D 3		"			
D 4		"			
D 5		"			
D 6		"			
D 7		"			
D 8		"			
D 9		"			



18, Rue CLAPPE CAZELLES  
31 500 - TOULOUSE  
Tel (81) 47 01 88  
CONSTRUCTEUR

Statut: SARL au capital de 20 000 F  
R.C. Tise 755 255  
C.C.R. Tise 778 40 A

ORIGINAL

**NOMENCLATURE**  
RESISTANCES

SCH 1

CI: 7909C CH4 EXP 2

Expander Kobol

DATE: 20/11/79

MODIFS: R11/185 Supprimés  
e optional Resistor

Ref schema	Ref stock rsf	DESCRIPTION	Ref schema	Ref stock rsf	DESCRIPTION
R101	R470		R151	R220	
R102	R4,7K		R152	R56K	
R103	R10K		R153	R680K	
R104	R2,2K		R154	R220	
R105	R100K		R155	R68K	
R106	R10K		R156	R220	
R107	R820K		R157	R27K	
R108	R6,2K5P		R158	R100K	
R109	R2,2K		R159	R27K	
R110	R10K		R160	R100K1PM	Matched
R111	R4,7M		R161	R100K1PM	Matched
R112	R732K1P		R162	R200K1PM	Matched
R113	R220K		R163	R4,7MM	Matched
R114	R10K		R164	R22K	
R115	R10K		R165	R1M	
R116	R100K		R166	R95,3K1P	
R117		Annulé	R167	R47,5K1P	
R118	R100K1PM	Matched	R168	R1K1P	
R119	R100K		R169	R18,2K1P	
R120	R100K		R170	R18,2K1P	
R121	R39K		R171	R732K1P	
R122	R270K		R172	R200K1P	
R123	R220K		R173	R18,2K1P	
R124	R330K		R174	R16K1P	
R125	R62K5P		R175	R28,7K1P	
R126	R27K		R176	R62K5P	
R127	R100K		R177	R10K	
R128	R17		R178	R470	
R129	R180K		R179	R1K	
R130	R47K		R180	R820K	
R131	R100K		R181	R6,2K5P	
R132	R47,5K1P		R182	R2,2K	
R133	R16,2K1P		R183	R10K	
R134	R220K		R184	R732K1P	
R135	R150K		R185		Annulé
R136	R82K		R186	R4,7M	
R137	R1M		R187	R100K	
R138	R56K		R188	R100K	
R139	R220		R189	R220K	
R140	R180K		R190	R270K	
R141	R220K		R191	R39K	
R142	R15K		R192	R330K	
R143	R16K		R193	R62K5P	
R144	R100K		R194	R100K	
R145	R10K		R195	R27K	
R146	R100K		R196	R1M	
R147	R100K		R197	R180K	
R148	R200K1P		R198	R47K	



18, Rue CLARE CAZELLES  
31 800 - TOULOUSE  
Tel (81) 47 31 82  
CONSTRUCTEUR

SARL au capital de 20 000 F  
R.C. N° 788 888  
C.C.R. N° 778 40A

ORIGINAL

NOMENCLATURE

RESISTANCES/CAPACITES

SCHEA

CI: 7909C CH1 EXP

Expander Kebab

DATE: 20/11/79

MODIFS: 08/09 C Mont Si

Ref schema	Ref stock rsf	DESCRIPTION	Ref schema	Ref stock rsf	DESCRIPTION
R201	R220K		C1	C100PF	
R202	R16,2K1P	*	C2	C1NF3IE	
R203	R56K		C3	C1NF3IE	
R204	R220		C4	C1NF3IE	
R205	R180K	109	C5	C1NF3IE	
R206	R1M		C6	C4,7MFTA	4,7µF Tantal
R207	R150K		C7	C4,7MFTA	" "
R208	R82K		C8	<del>C1NF3IE</del>	C10NF3ie
R209	R56K		C9	<del>C1NF3IE</del>	C10NF3ie
R210	R100K		C10	C0,1MF3I	
R211	R10K	PPue 3PAS	C11	C0,1MF3I	
R212	R15K		C12	C1NFCERF	1nf 10% 50µ
R213	R220K		C13	C100PF	
R214	R100K		C14	C1NFCERF	1nf 10% 50µ
R215	R100K		C15	C100PF	
R216	R200K1P	*	C16	C4,7MFTA	4,7µF 20V Tan
R217	R100K		C17	"	
R218	R270K		C18	"	
R219	R220		C19	"	
R220	R56K		C20	"	
R221	R680K		C21	"	
R222	R220		C22	"	
R223	R68K		C23	"	
R224	R220		C24	"	
R225	R27K		C25	"	
R226	R100K				
R227	R27K	1h			
R228	R100K				
R229	R330K				
R230	R100K	3h			
R231	R330K				
ADJ1		10k carnet			
ADJ2		100k			
ADJ3		10k			
ADJ4		10k			
ADJ5		100K carnet			
ADJ6		10k 20 Tours			
ADJ7		10k			
ADJ8		100k			
ADJ9		100k			
ADJ10		100k carnet			
ADJ11		10K 20 Tours			
ADJ12		10k			
ADJ13		100k			
ADJ14		100k			



12, Rue CLARE GAZELLE  
34 200 - TOULOUSE  
Tel (01) 47 31 88  
COMMERCIALE

Comptabilité SARL au capital de 20 000 F  
R.C. 708 858  
C.C.A. 778 40A

ORIGINAL

NOMENCLATURE  
RESISTANCES

SCHA - 1  
ci: 7909 C CH1 EXP

Expander Kobol

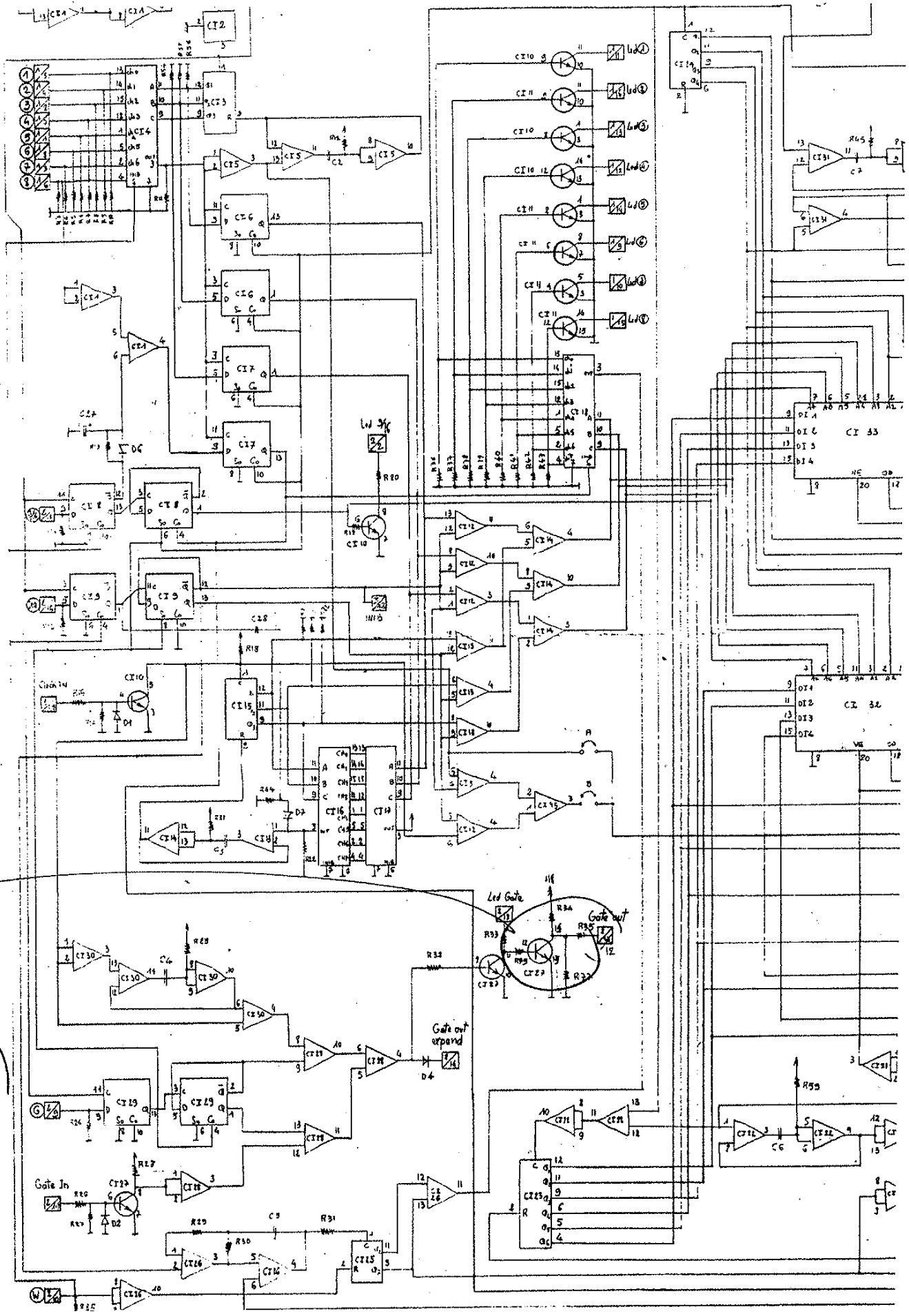
DATE: 20/11/79

MODIFS:

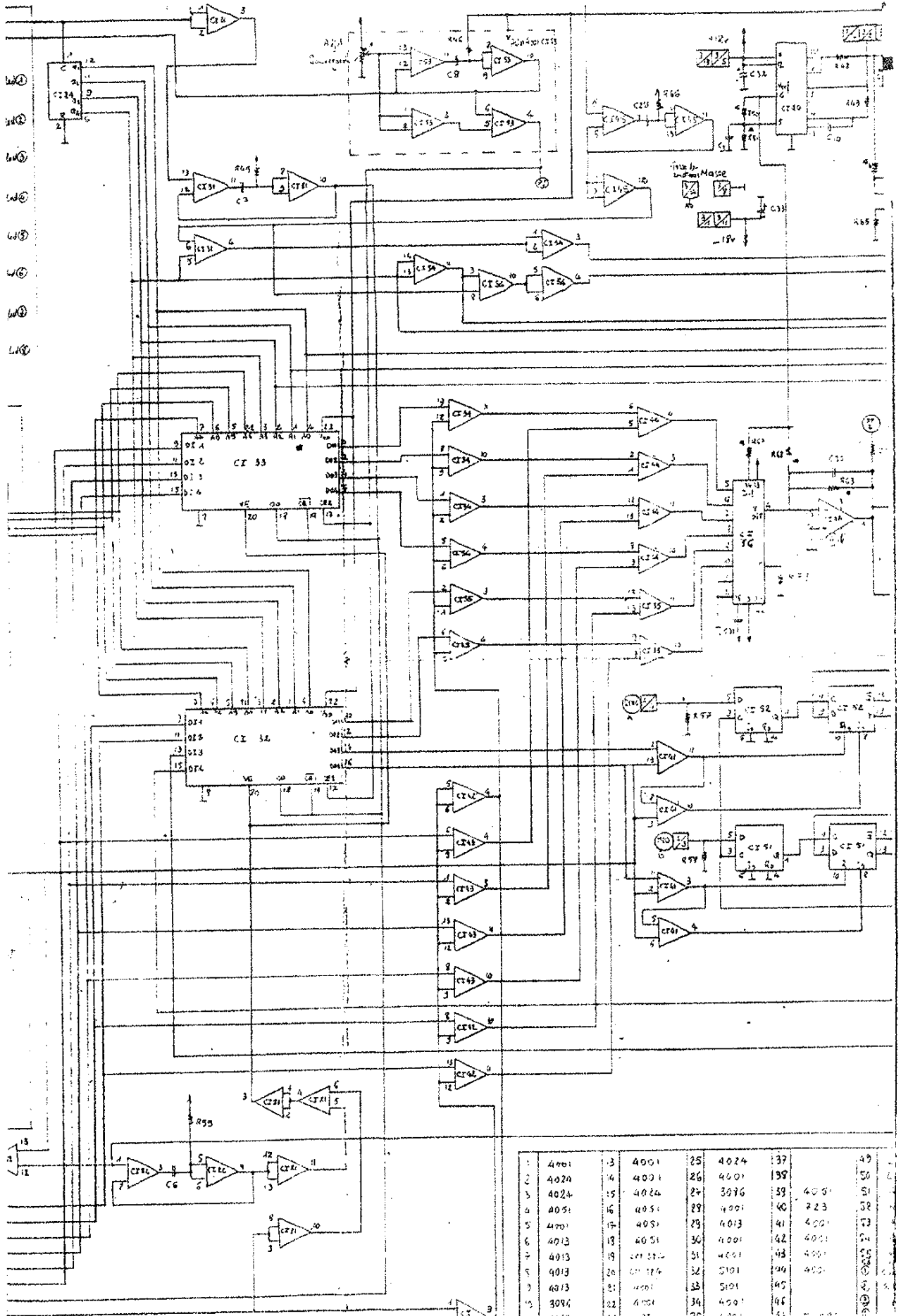
Ref schema	Ref stock rsf	DESCRIPTION	Ref schema	Ref stock rsf	DESCRIPTION
R1	R4,7	X	43	R51	R100K
R2	R15K		35	R52	R100K
R3	R28,7KIP		1	R53	R330K
R4	R3,6KSP		23	R54	R330K
R5	R28,7KIP		24	R55	R1M
R6	R200K2PH	Matched	14	R56	R1M
R7	R200K2PH	Matched	15	R57	R1K
R8	R100K		35	R58	R1K
R9	R1M		39	R59	R68K
R10	R680K		2	R60	R100K
R11	R39K		55	R61	R100K
R12	R220		64	R62	R330K
R13	R27K		35	R63	R330K
R14	R100K		63	R64	R1M
R15	R82K		98	R65	R1M
R16	R220		11	R66	R47K
R17	R27K		13	R67	R100K
R18	R100K		71	R68	R10K
R19	R68K		70	R69	R100K
R20	R100KIP		31	R70	R100K
R21	R10K		46	R71	R22K
R22	R62K		36	R72	R68K
R23	R1K		51	R73	R270K
R24	R100K		52	R74	R10K
R25	R10K		59	R75	R10K
R26	R220		52	R76	R100K
R27	R10K		50	R77	R68K
R28	R10K		19	R78	R270K
R29	R220		28	R79	R10K
R30	R10K		47	R80	R22K
R31	R10K		37	R81	R200KIP
R32	R220		33	R82	R100K
R33	R10K		69	R83	R100K1PM
R34	R10K		68	R84	R200K1PM
R35	R220		67	R85	R4,7MM
R36	R10K		66	R86	R1M
R37	R4,7K		65	R87	R95,3KIP
R38	R220		53	R88	R22K
R39	R10K		62	R89	R47,5KIP
R40	R220		61	R90	R1KIP
R41	R220		60	R91	R18,2KIP
R42	R1M			R92	R18,2KIP
R43	R100K		57	R93	R332KIP
R44	R1K		56	R94	R200KIP
R45	R10K		12	R95	R18,2KIP
R46	R47K		40	R96	R16KIP
R47	R22K		32	R97	R28,7KIP
R48	R1K			R98	R62KSP

SORCOR

Modif →

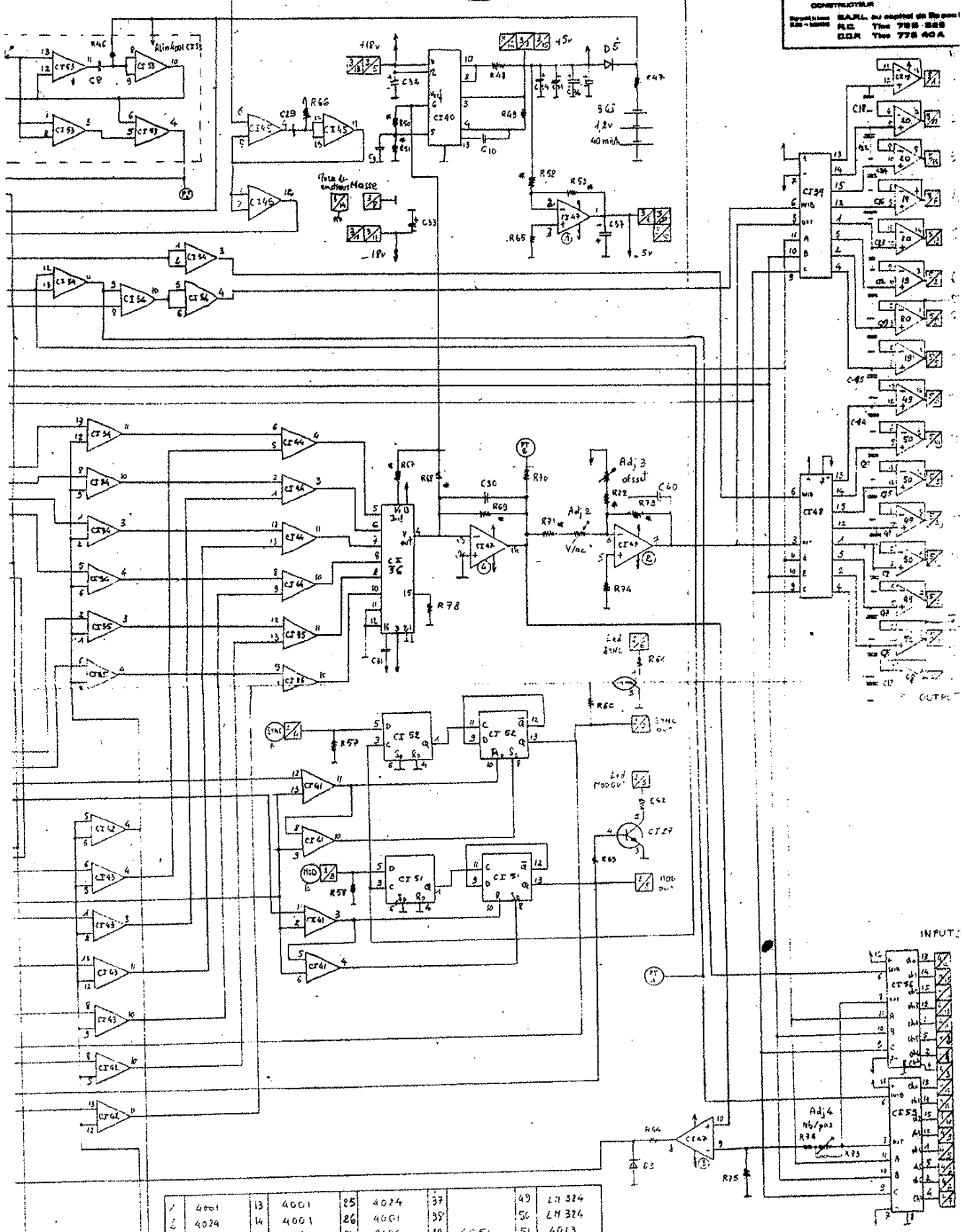


il est possible que ce transistor ait monté il joint circuit intégré de recharge



1	4001	3	4001	25	4024	37	40
2	4020	4	4001	26	4001	38	50
3	4024	15	4024	27	3076	39	51
4	4051	16	4051	28	4001	40	52
5	4051	17	4051	29	4013	41	53
6	4013	18	4051	30	4001	42	54
7	4013	19	4013	31	4001	43	55
8	4013	20	4013	32	5101	44	56
9	4013	21	4001	33	5101	45	57
10	3076	22	4001	34	4001	46	58
11	4001	23	4001	35	4001	47	59
12	4001	24	4001	36	4001	48	60





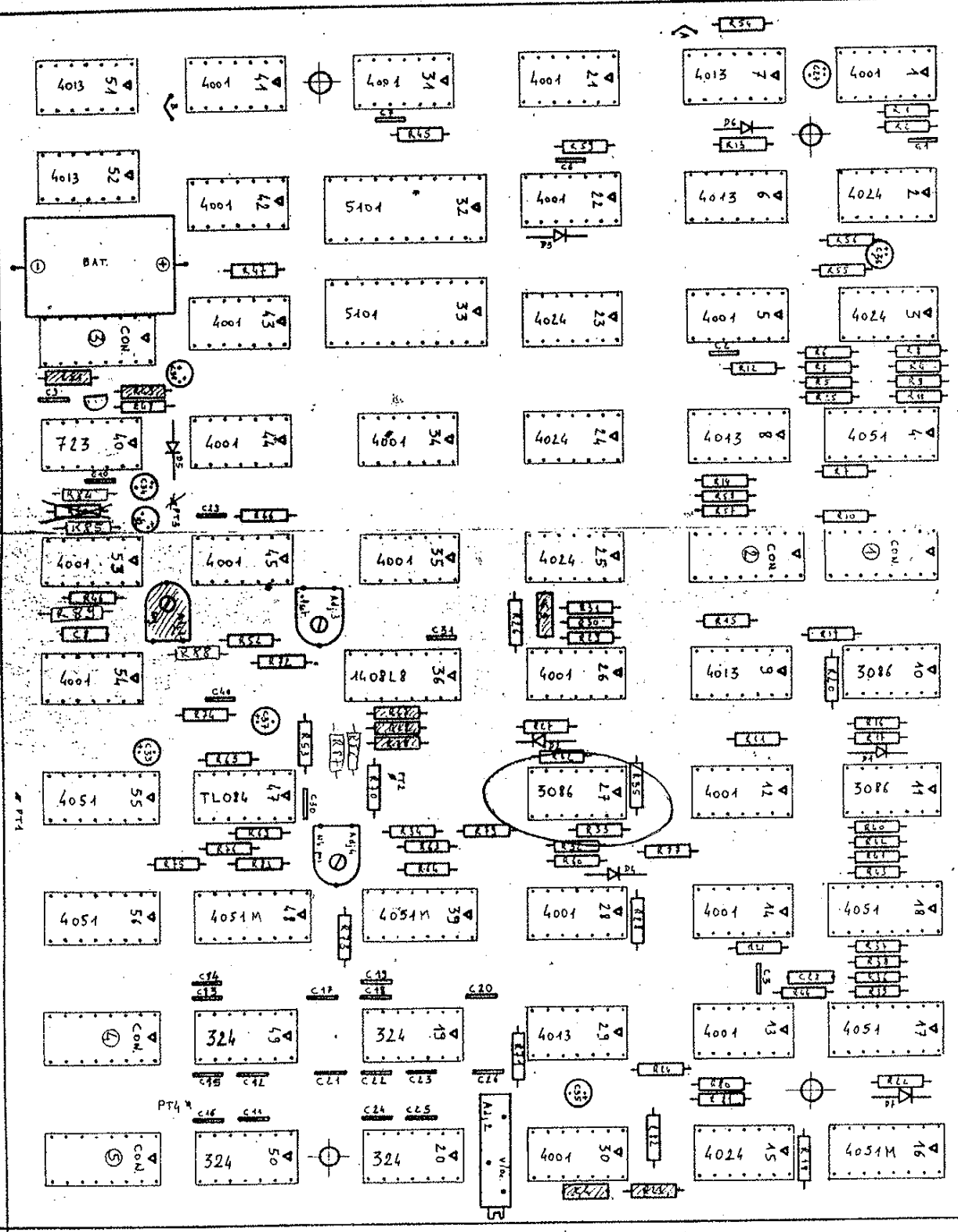
Tab (81) 47 91 82  
 COMPTON  
 Révisé par: S.A.R.L. au capital de 200 000 F  
 R.C. No 778 888  
 C.R. No 778 80A

1	4001	13	4001	25	4024	37		49	LH 324
2	4024	14	4001	26	4001	38		50	LH 324
3	6024	15	4024	27	2096	39	4051	51	4013
4	4051	16	4051	28	4001	40	723	52	4013
5	4001	17	4051	29	4013	41	4001	53	4001
6	4013	18	4051	30	4001	42	4001	54	4001
7	4013	19	LH 324	31	4001	43	4001	55	4051
8	4013	20	LH 324	32	5101	44	4001	56	4051
9	4013	21	4001	33	5101	45		57	
10	3096	22	4001	34	4001	46		58	

PROGRAMMEUR kobol  
 SCH 2 / 15/11/78  
 Mod. 15

**rsf**  
 19, Rue CLAUDE CAZELLE  
 31 800 - TOULOUSE  
 Tél (81) 47 91 82  
 COMPTON  
 Révisé par: S.A.R.L. au capital de 200 000 F  
 R.C. No 778 888

# BOARD PROGRAMMEUR



CITE =



19, Rue CLARE CAZELLES  
31 000 - TOULOUSE  
Tel (81) 47 31 82  
CONSTRUCTEUR

Statut légal  
RS - 88000

S.A.R.L. au capital de 20000 F  
R.C. Tics 788 888  
C.C.R. Tics 778 40A

ORIGINAL

NOMENCLATURE  
CAPACITEES

8042 / 15/11/79

PROGRAMMEUR Kobol

DATE: 15/11/79

MODIFS:

Ref schema	Ref stock rsf	DESCRIPTION	Ref schema	Ref stock rsf	DESCRIPTION
C1	C68 PF				
C2	C100 P				
C3	C22 NF				
C4	CANFSIE				
C5	C0,1MFSI				
C6	C100 PF				
C7	C100 PF				
C8	C0,1MFSI				
C9	C22 NF				
C10	C100 PF				
C11	C22 NF				
C12	C22 NF				
C13	C22 NF				
C14	C22 NF				
C15	C22 NF				
C16	C22 NF				
C17	C22 NF				
C18	C22 NF				
C19	C22 NF				
C20	C22 NF				
C21	C22 NF				
C22	C22 NF				
C23	C22 NF				
C24	C22 NF				
C25	C22 NF				
C26	C22 NF				
C27	C4,7MFTA				
C28	CANFSIE				
C29	C22 NF				
C30	C27 PF				
C31	C100 PF				
C32	C4,7MFTA				
C33	C4,7MFTA				
C34	C4,7MFTA				
C35	C4,7MFTA				
C36	C4,7MFTA				
C37	C4,7MFTA				
C38	C4,7MFTA				
C39					
C40	C27 PF				



18, Rue CLAUDE CAZELLES  
31 200 - TOULOUSE  
Tel (81) 47 31 82  
CONSTRUCTEUR

SAARL au capital de 20 000 F  
R.C. Tins 758 282  
C.C.R. Tins 778 40A

ORIGINAL

NOMENCLATURE

RESISTANCES

SCH 2 / 15/11/79

PROGRAMMEUR KOBOL

DATE: 15/11/79

MODIFS:

Ref schema	Ref stock rsf	DESCRIPTION	Ref schema	Ref stock rsf	DESCRIPTION
R 1	R 10K		R 51	R 2,15KIP	
R 2	R 4,7K		R 52	R 16,2KIP	} Planchard 0,05%
R 3	R 10K		R 53	R 16,2KIPC	
R 4	R 10K		R 54	R 10K	
R 5	R 10K		R 55	R 10K	
R 6	R 10K		R 56	R 10K	
R 7	R 10K		R 57	R 10K	
R 8	R 10K		R 58	R 10K	
R 9	R 10K		R 59	R 27K	
R 10	R 10K		R 60	R 10K	
R 11	R 1K		R 61	R 1K	
R 12	R 27K		R 62	R 1K	
R 13	R 100K		R 63	R 10K	
R 14	R 10K		R 64	R 10K	
R 15	R 10K		R 65	R 10K	
R 16	R 10K		R 66	R 4,7K	
R 17	R 10K		R 67	R 3,65KIP	
R 18	R 10K		R 68	R 7,5KIP	
R 19	R 10K		R 69	R 4,75KIP	
R 20	R 1K		R 70	R 1K	
R 21	R 1M		R 71	R 39,2KIP	
R 22	R 10K		R 72	R 330K1P	Ajusté selon mm
R 23	R 27K		R 73	R 47,5KIP	
R 24	R 10K		R 74	R 27K	
R 25	R 10K		R 75	R 100KIP	
R 26	R 10K		R 76	R 4,3KIP	
R 27	R 10K		R 77	R 15K	
R 28	R 10K		R 78	R 3,65KIP	
R 29	R 10K		R 79	R 100K	
R 30	R 470K		R 80	R 10K	
R 31	R 100K		R 81	R 10K	
R 32	R 10K		R 82	R 10K	
R 33	R 1K		R 83	<del>R 27K</del>	Supprimé
R 34	R 10K				
R 35	R 1K				
R 36	R 100K				
R 37	R 100K				
R 38	R 100K		ADJ1	ADJ100K	
R 39	R 100K		ADJ2	ADJ100KNU	
R 40	R 100K		ADJ3	ADJ100K	
R 41	R 100K		ADJ4	ADJ100KP	Cermet
R 42	R 100K				
R 43	R 100K				
R 44	R 470K				
R 45	R 10K				
R 46	R 1M				
R 47	R 1K				
R 48	R 4,7				
R 49	R 1,8K				



19, Rue CLARE CAZELLES  
31 800 - TOULOUSE  
Tel (51) 47 31 82  
CONSTRUCTEUR

Représentation  
SARL - 40000

SARL au capital de 20000 F  
RC Tins 788 888  
CCR Tins 778 40A

ORIGINAL  
NOMENCLATURE

SCH2 / 15/11/79

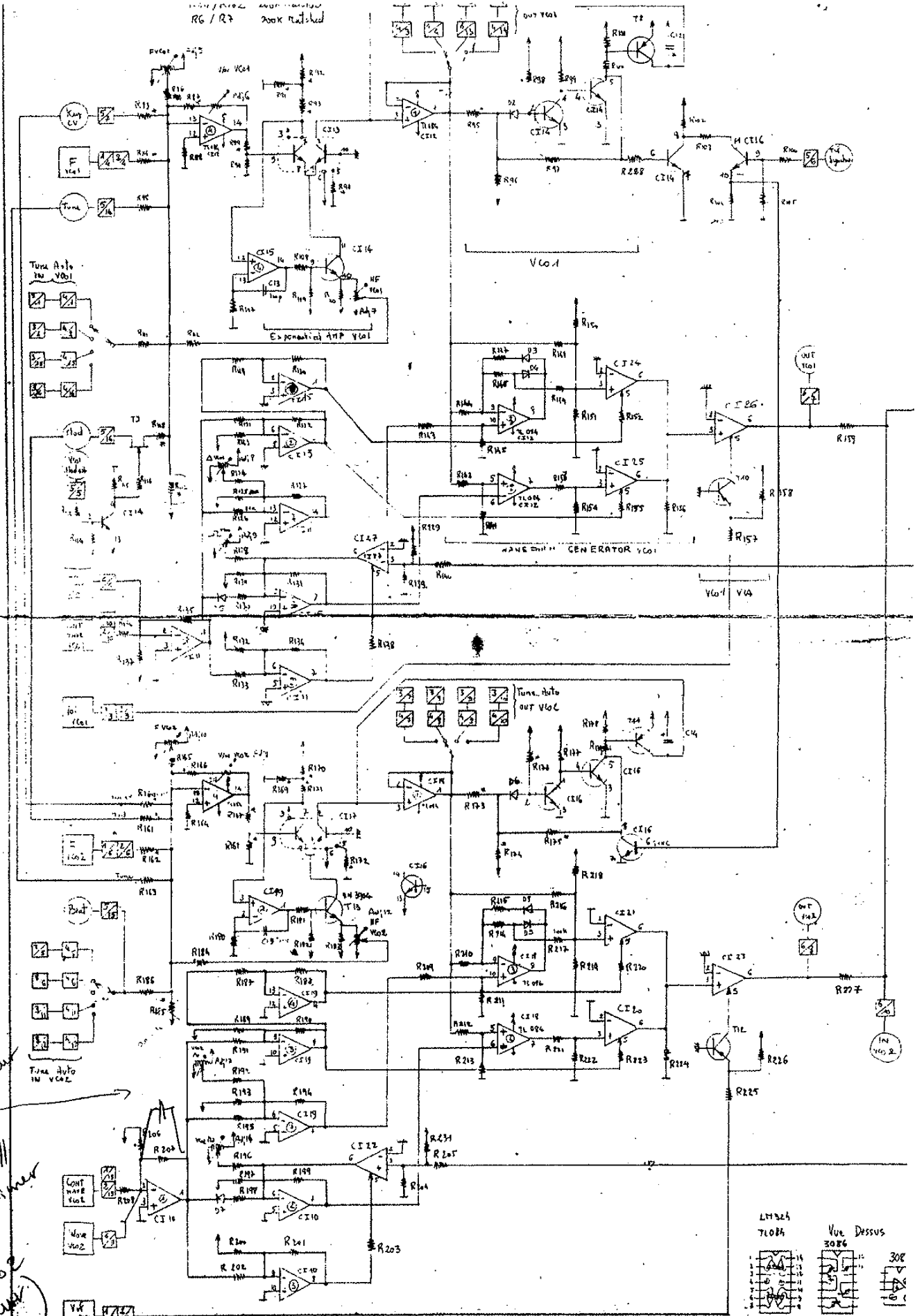
PROGRAMMEUR Kobil

DATE: 15/11/79

MODIFS:

Ref schema	Ref stock rsf	DESCRIPTION	Ref schema	Ref stock rsf	DESCRIPTION
CI1		4001	CI51		4013
CI2		4024	CI52		4013
CI3		4024	CI53		4001
CI4		4081	CI54		4001
CI5		4001	CI55		4051
CI6		4013	CI56		4051
CI7		4013			
CI8		4013			
CI9		4013	DA	AN4148	AN4148
CI10		3086	D2		AN4148
CI11		3086	D3		~
CI12		4001	D4		~
CI13		4001	D5		~
CI14		4001	D6		~
CI15		4024	D7		~
CI16		4051	D8		~
CI17		4051			
CI18		4051			
CI19		LN 324	SUPA4		
CI20		LN 324		SUP14	
CI21		4001		SUP16	
CI22		4001			
CI23		4024			
CI24		4024			
CI25		4024			
CI26		4001			
CI27		3086			
CI28		4001			
CI29		4013			
CI30		4001			
CI31		4001			
CI32		5101			
CI33		5101			
CI34		4001			
CI35		4001			
CI36		NC 1408L8			
CI37					
CI38					
CI39		4051 T			
CI40		723			
CI41		4001			
CI42		4001			
CI43		4001			
CI44		4001			
CI45		4001			
CI46					
CI47		TL 084			
CI48		4051			
CI49		LN 324			

RG/RZ 200K finished



Condensateur  
de  
22nF  
à souder en //  
pour supprimer  
bruit sur V002  
dysfonction  
vni

