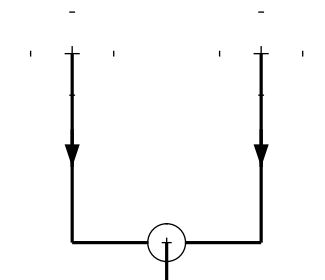
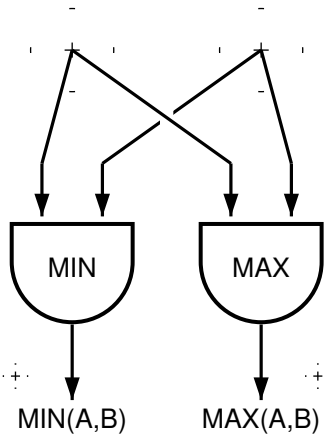


DUAL MIN-MAX

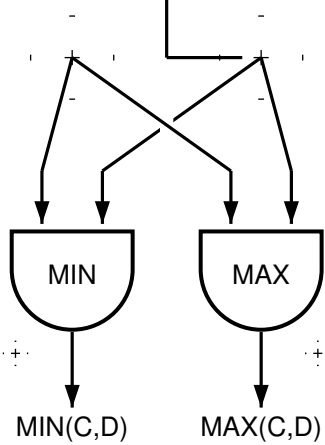
INPUT A

INPUT B



INPUT C

INPUT D



Yusynth